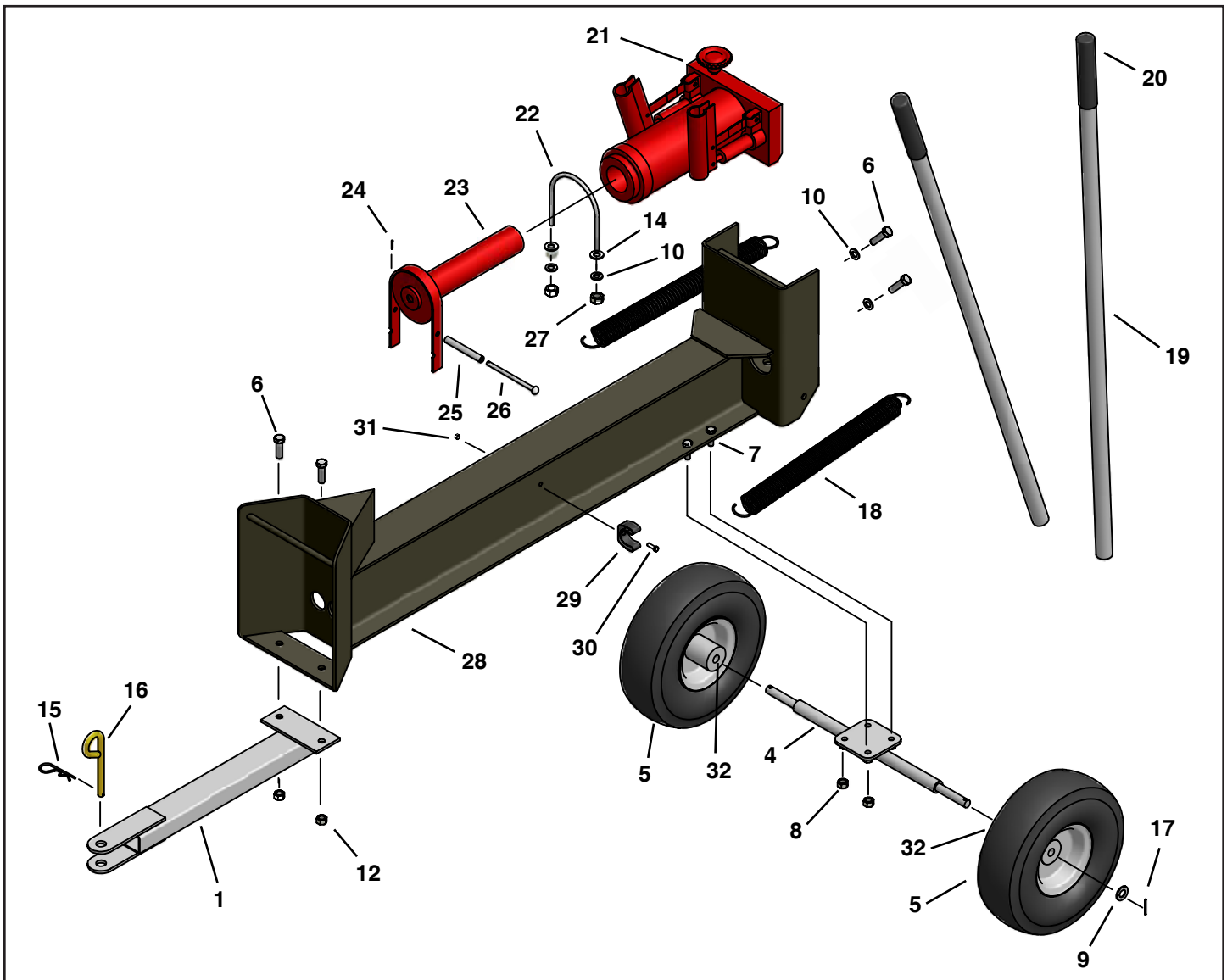


REPAIR PARTS FOR HYDRAULIC LOG SPLITTER - MODEL 25-0126



#	PART #	DESCRIPTION	QTY
1	65238	Hitch Assembly	1
4	65239	Axle Assembly	1
5	46503	Wheel	2
6	49659	Hex, Bolt M10 x 25	4
7	49664	Hex, Bolt M8 x 25	4
8	49667	Nut, Nylock M8	4
9	R19171616	Washer, Axle	2
10	43003	Washer, Lock 3/8"	4
12	47810M	Nut, Nylock M10	2
14	43070	Washer, Flat 3/8"	2
15	43343	Hairpin Cotter	1
16	23353	Hitch Pin	1
17	43010	Cotter Pin	2
18	49644	Spring	2

#	PART #	DESCRIPTION	QTY
19	49657	Operating Lever	2
20	49658	Grip	2
21	49642	Ram Assembly	1
22	49645	U-Clamp	1
23	49643	Jack Top Plate	1
24	44101	Cotter Pin, 3/32 x 3/4"	1
25	49647	Spacer	1
26	49648	Clevis Pin	1
27	49660	Hex, Nut M10	2
28	49641	Frame	1
29	47397	Handle Clamp	2
30	49650	Bolt, Hex M5 x 10	1
31	49651	Nut, Hex M5	1
32	49734	Bushing, Wheel	2